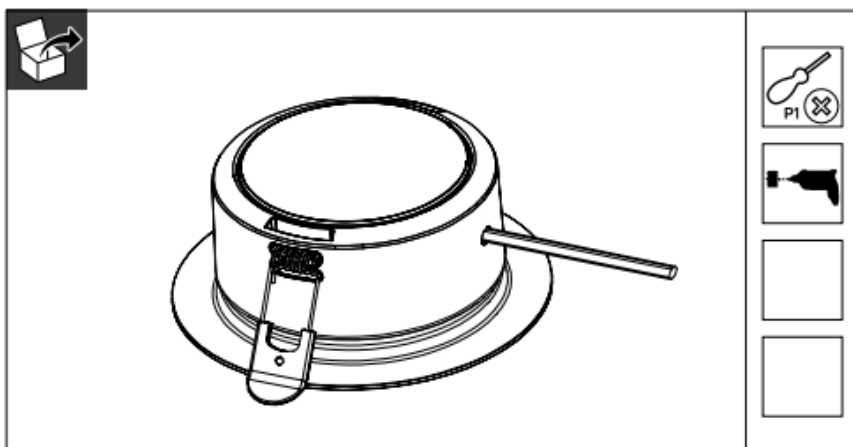


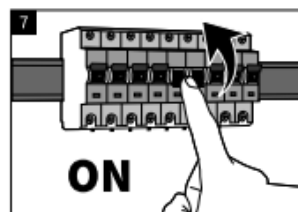
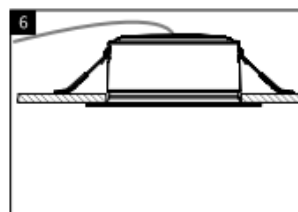
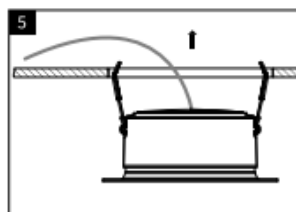
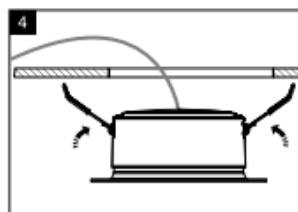
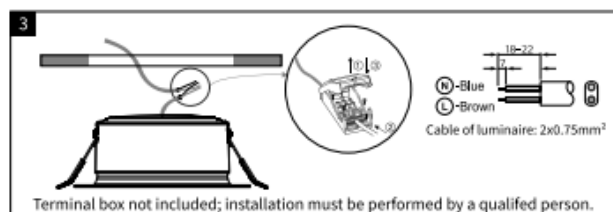
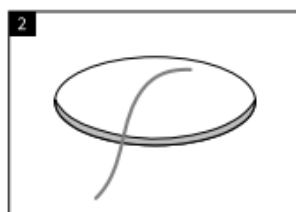
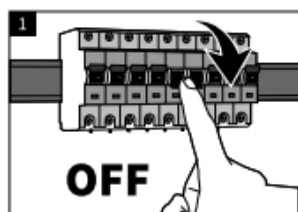
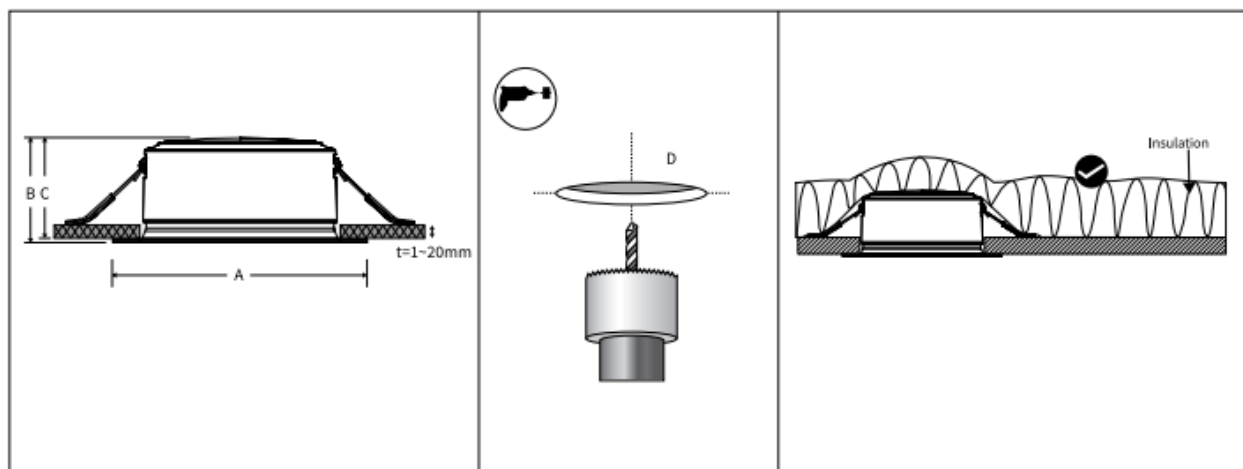
PHILIPS

UltraEfficient Diamond Cut

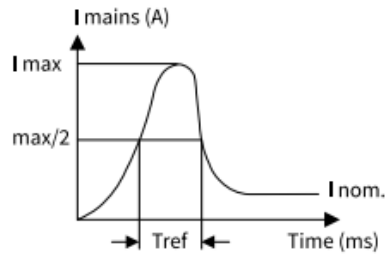
Mounting Instructions



| Model | Product Description | Power(W) | CRI(Ra) | CCT(K) | Total Lumen(lm) | Energy efficiency class of light source | Dimension AxB,C(mm) | Cut-Out D(mm) | Weight (kg) |
|------------|------------------------------------|----------|---------|--------|-----------------|---|---------------------|---------------|-------------|
| 9290041130 | Diamond Cut UltraEfficient 80 30K | 2 | 80 | 3000 | 310 | B | φ95*49,5,48 | φ68-80 | 0,08 |
| 9290041131 | Diamond Cut UltraEfficient 80 40K | 2 | 80 | 4000 | 310 | B | φ95*49,5,48 | φ68-80 | 0,08 |
| 9290041133 | Diamond Cut UltraEfficient 90 30K | 2,2 | 80 | 3000 | 345 | B | φ105*49,5,48 | φ80-90 | 0,096 |
| 9290041134 | Diamond Cut UltraEfficient 90 40K | 2,2 | 80 | 4000 | 345 | B | φ105*49,5,48 | φ80-90 | 0,096 |
| 9290041136 | Diamond Cut UltraEfficient 125 30K | 4,8 | 80 | 3000 | 800 | B | φ145*49,5,48 | φ120-130 | 0,152 |
| 9290041137 | Diamond Cut UltraEfficient 125 40K | 4,8 | 80 | 4000 | 800 | B | φ145*49,5,48 | φ120-130 | 0,152 |
| 9290041139 | Diamond Cut UltraEfficient 150 30K | 6,5 | 80 | 3000 | 1050 | B | φ170*49,5,48 | φ145-155 | 0,191 |
| 9290041140 | Diamond Cut UltraEfficient 150 40K | 6,5 | 80 | 4000 | 1050 | B | φ170*49,5,48 | φ145-155 | 0,191 |



Inrush Current



| Model | 9290041130 9290041131 | 9290041133 9290041134 | 9290041136 9290041137 | 9290041139 9290041140 |
|---------------------------|--------------------------|--------------------------|--------------------------|--------------------------|
| Electrical characteristic | | | | |
| $I_{max}(A)$ | 9.5 | 8.6 | 11.2 | 8.5 |
| $T_{ref}(\mu s)$ | 0.13 | 0.13 | 0.15 | 0.1 |
| MCB | Luminaires Max.(pcs) | | | |
| Type B-10A | 68 | 76 | 40 | 76 |
| Type B-16A | 111 | 123 | 66 | 124 |
| Type C-10A | 116 | 128 | 69 | 129 |
| Type C-16A | 186 | 206 | 112 | 208 |



ATTENTION
OBSERVE PRECAUTIONS
FOR HANDLING
ELECTROSTATIC
SENSITIVE
DEVICES

- 01 Please read this manual before you start to install the luminaire.
- 02 The luminaire shall be installed by a qualified electrician and wired in accordance with the latest IEE electrical regulations of the national requirements.
- 03 Switch OFF the power supply before the installation or maintenance to avoid electrical shock.
- 04 The luminaire must not be used or stored in corrosive environment where hazardous materials such as Sulphur, Chlorine, Phthalates, etc., are present.

ATTENTION: In B manual, you will find all the explanations with numeric reference to the icons respectively in front of these safety instructions.



3241 661 40241
© 2024 Signify Holding
Signify

Philips and the Philips Shield Emblem are registered trademarks of Koninklijke Philips N.V. and are used under license