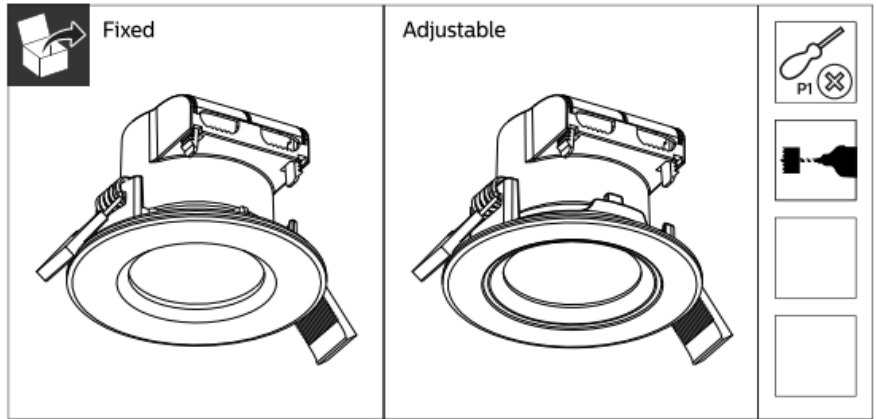


# PHILIPS

## Sparkle & Dive Recessed Spotlight

SL261

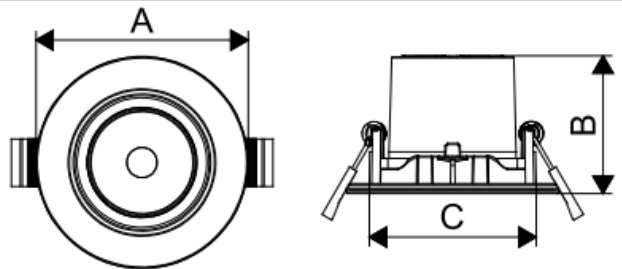


Model Name	Product Description	Power (W)	CRI (Ra)	Total lumen (lm)	CCT (K)	Beam Angle	Energy efficiency class of light source	IP	Dimension AxB, C (mm)	Cut Out D (mm)	kg
9290023738	SPARKLE SL261 RD 070 5W 27K W HV L	5W	80	350lm	2700K	36	F	20	φ85*55*67	φ70-72	0.118
9290023739	SPARKLE SL261 RD 070 5W 27K N HV L							20			0.118
9290041151	SPARKLE SL261 RD 070 5W 27K BK LENS							20			0.118
9290023740	DIVE SL261 RD 070 5W 27K W HV IP65L							20 Front 65			0.114
9290023741	DIVE SL261 RD 070 5W 27K N HV IP65L							20 Front 65			0.114
9290025271	DIVE SL261 RD 070 5W 27K C HV IP65L	5.5W	80	350lm	2700K	36	F	20 Front 65	φ85*55*67	φ70-72	0.114
9290023742	SPARKLE SL261 RD 070 5.5W 27K W HV R							20			0.118
9290023743	SPARKLE SL261 RD 070 5.5W 27K N HV R							20			0.118
9290041152	SPARKLE SL261 RD 070 5.5W 27K BK REF							20			0.118
9290023744	DIVE SL261 RD 070 5.5W 27K W HV IP65R							20 Front 65			0.114
9290023745	DIVE SL261 RD 070 5.5W 27K N HV IP65R							20 Front 65			0.114
9290025272	DIVE SL261 RD 070 5.5W 27K C HV IP65R							20 Front 65			0.114
9290026803	DIVE SL261 RD 070 5.5W 27K BL IP65R							20 Front 65			0.114

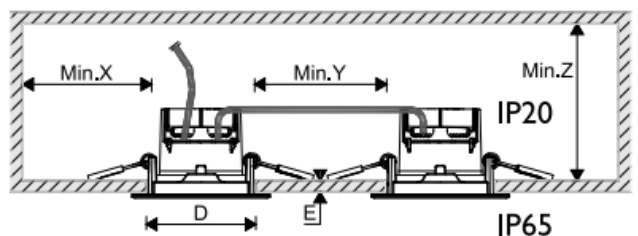
## Dimensions

Unit:mm

Product	A	B	C
SL261	φ85	55	67

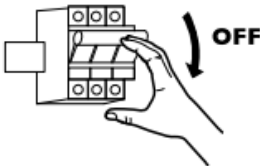
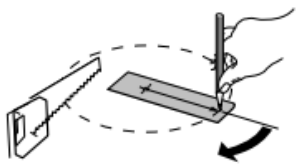
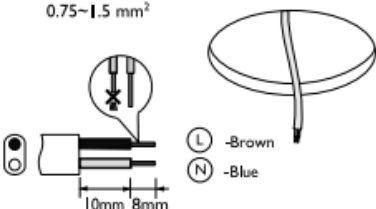
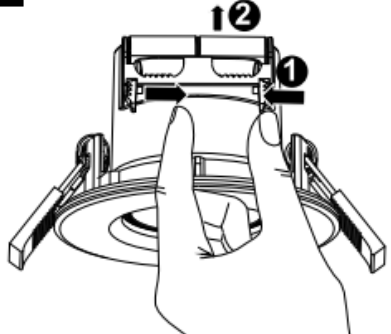
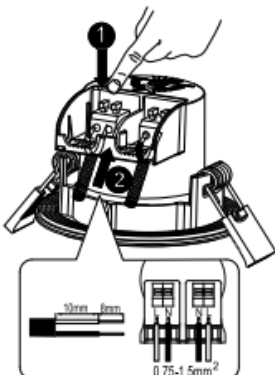
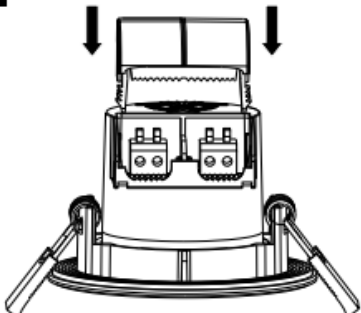
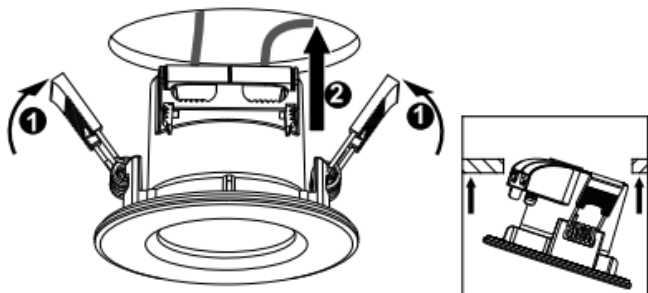
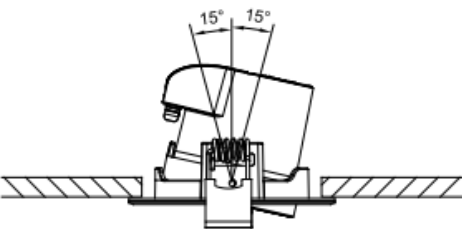
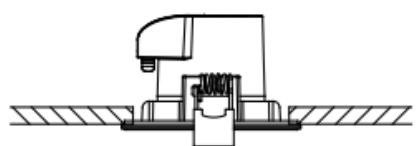
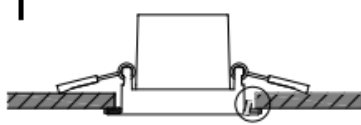
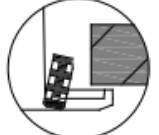
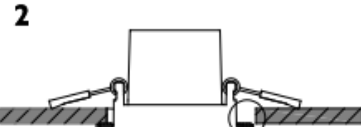
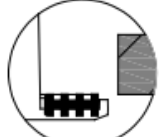
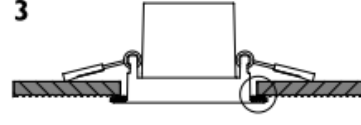
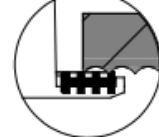
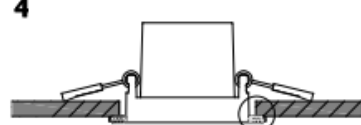
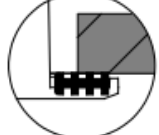
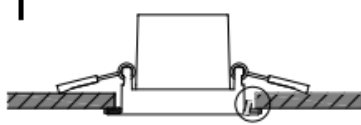
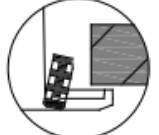
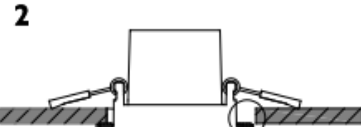
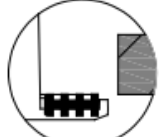
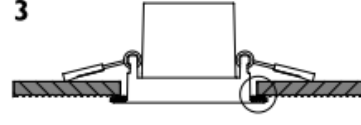
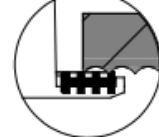
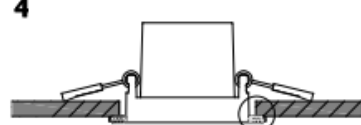
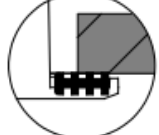
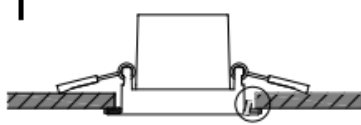
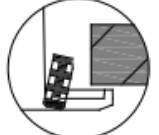
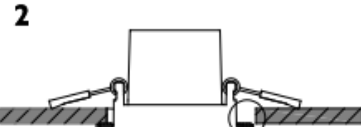
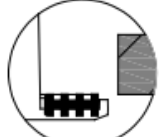
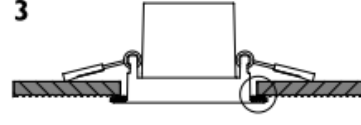
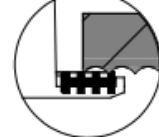
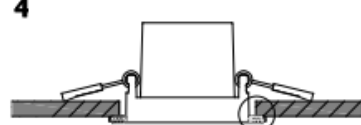
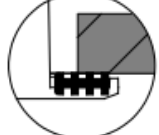
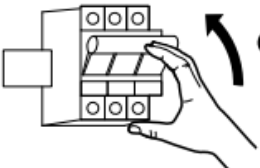


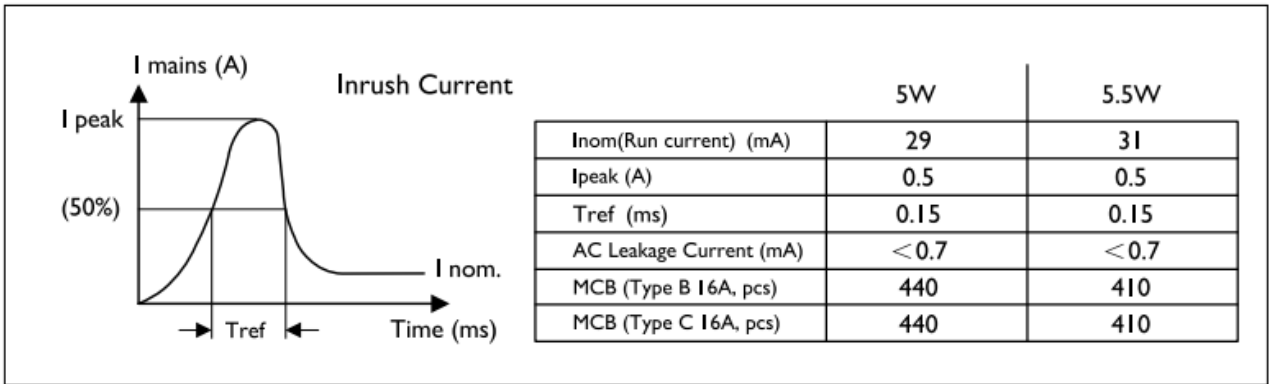
Product	D(mm)	E(mm)	X(mm)	Y(mm)	Z(mm)
SL261	φ70-72	I-15	50	50	70



Unit:mm

# Installation

<p><b>1</b></p>  <p>OFF</p>	<p><b>2</b></p> 	<p><b>3</b></p> <p>0.75-1.5 mm<sup>2</sup></p>  <p>L -Brown N -Blue</p>								
<p><b>4</b></p> 	<p><b>5</b></p>  <p>3mm 0.75-1.5mm<sup>2</sup></p>	<p><b>6</b></p> 								
<p><b>7</b></p> 	<p><b>8</b></p> <p>IP20 SPARKLE</p>  <p>15° 15°</p>									
<p><b>9</b></p> <p>IP20 DIVE</p>  <p>IP65</p>	<table border="1"> <tr> <td data-bbox="521 1278 906 1440"> <p><b>1</b></p>  </td> <td data-bbox="906 1278 1249 1440">  <p>X</p> </td> </tr> <tr> <td data-bbox="521 1440 906 1605"> <p><b>2</b></p>  </td> <td data-bbox="906 1440 1249 1605">  <p>X</p> </td> </tr> <tr> <td data-bbox="521 1605 906 1771"> <p><b>3</b></p>  </td> <td data-bbox="906 1605 1249 1771">  <p>X</p> </td> </tr> <tr> <td data-bbox="521 1771 906 1931"> <p><b>4</b></p>  </td> <td data-bbox="906 1771 1249 1931">  <p>✓</p> </td> </tr> </table>		<p><b>1</b></p> 	 <p>X</p>	<p><b>2</b></p> 	 <p>X</p>	<p><b>3</b></p> 	 <p>X</p>	<p><b>4</b></p> 	 <p>✓</p>
<p><b>1</b></p> 	 <p>X</p>									
<p><b>2</b></p> 	 <p>X</p>									
<p><b>3</b></p> 	 <p>X</p>									
<p><b>4</b></p> 	 <p>✓</p>									
<p><b>10</b></p>  <p>ON</p>										



### Recommended Max. number of inter-connected

Model Name	Power	Cross section area 0.75mm <sup>2</sup>	Cross section area 1.0mm <sup>2</sup>	Cross section area 1.5mm <sup>2</sup>
9290023738	5W	35	35	35
9290023739				
9290041151				
9290023740				
9290023741				
9290025271				
9290023742	5.5W	33	33	33
9290041152				
9290023743				
9290023744				
9290023745				
9290025272				
9290026803				

## Recommended Dimmer List

Luminaire Power	Brand	Model	Max. fitting per dimmer
5W	Busch Jaeger   ABB	2250 U	20
	Busch Jaeger   ABB	6523 U	20
	Busch Jaeger   ABB	6526 U	20
	Busch Jaeger   ABB	6523 U-I02	20
	ELKO   Schneider	SBD200LED (CCTEL10501)	16
	ELKO   Schneider	SBD315RC (315 GLE )	13
	Eltako	EVD61NPN-JC	16
	Eltako	EUD61NPL-230V	20
	Merten   Schneider	SBD315RC (MEG5136-0000)	13
	MK - Electric	K1501 WHILV	20
	MK - Electric	K4501 WHILV	7
	Schneider	SBD315RC (SBD 315, SDD 315, ATD315, CCT011533)	13
5.5W	Busch Jaeger   ABB	2250 U	20
	Busch Jaeger   ABB	6523 U	18
	Busch Jaeger   ABB	6526 U	18
	Busch Jaeger   ABB	6523 U-I02	18
	ELKO   Schneider	SBD200LED (CCTEL10501)	11
	ELKO   Schneider	SBD315RC (315 GLE )	15
	Eltako	EVD61NPN-JC	20
	Eltako	EUD61NPL-230V	20
	Merten   Schneider	SBD315RC (MEG5136-0000)	11
	MK - Electric	K1501 WHILV	18
	MK - Electric	K4501 WHILV	7
	Schneider	SBD315RC (SBD 315, SDD 315, ATD315, CCT011533)	11



ATTENTION  
OBSERVE PRECAUTIONS  
FOR HANDLING  
ELECTROSTATIC  
SENSITIVE  
DEVICES

- Please read this manual before you start to install the luminaire.
- The luminaire shall be installed by a qualified electrician and wired in accordance with the latest IEE electrical regulations of the national requirements.
- Switch OFF the power supply before the installation or maintenance to avoid electrical shock.
- The luminaire must not be used or stored in corrosive environment where hazardous materials such as Sulphur, Chlorine, Phthalates, etc., are present.

**ATTENTION:** In B manual, you will find all the explanations with numeric reference to the icons respectively in front of these safety instructions.



3241 661 23291

© 2023 Signify Holding

Signify

Philips and the Philips Shield Emblem are registered trademarks of Koninklijke Philips N.V. and are used under license