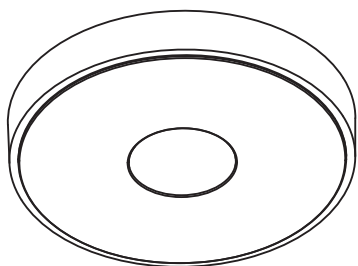
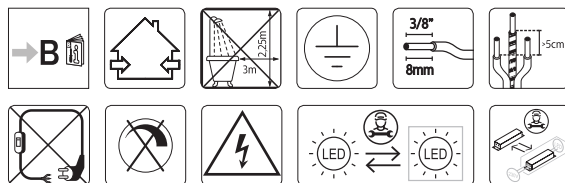
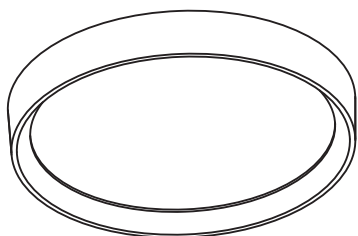


PHILIPS

Coiner
Hanno



9290041154
9290041155
9290041156
9290041157



9290041158
9290041159
9290041160
9290041161



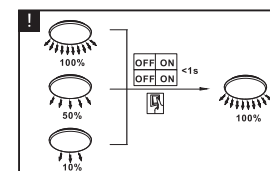
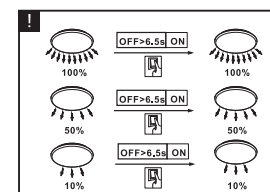
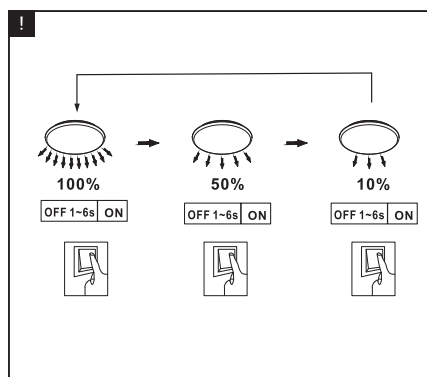
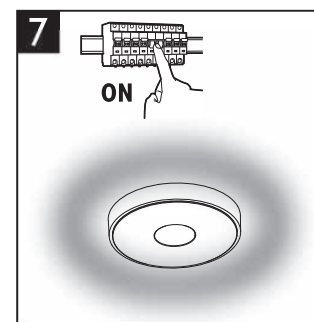
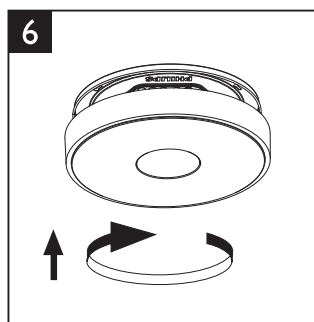
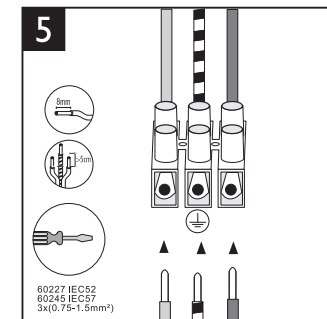
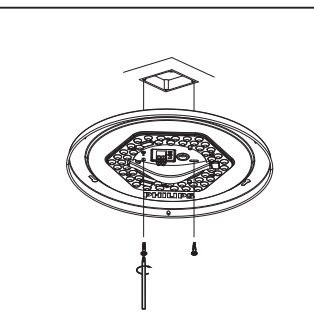
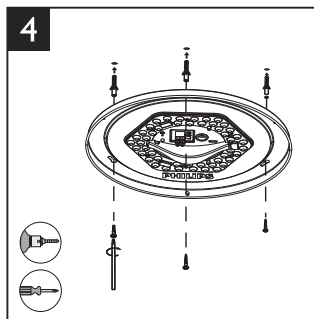
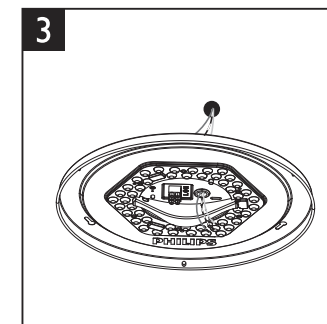
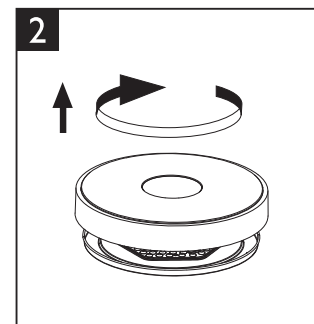
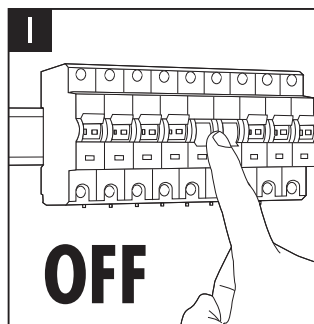
Philips and the Philips Shield Emblem are registered trademarks of Koninklijke Philips N.V. and are used under license

Signify
I.B.R.S. / C.C.R.I. Numéro 10461
5600 VB Eindhoven, the Netherlands
☎00800-74454775

Signify Commercial UK Limited
Unit 3, Guildford Business Park, Guildford,
Surrey, GU2 8XG, UK

3241 661 38021

© 2024 Signify Holding
Signify



9290041154LS 9290041156LS 9290041158LS 9290041160LS
9290041155LS 9290041157LS 9290041159LS 9290041161LS