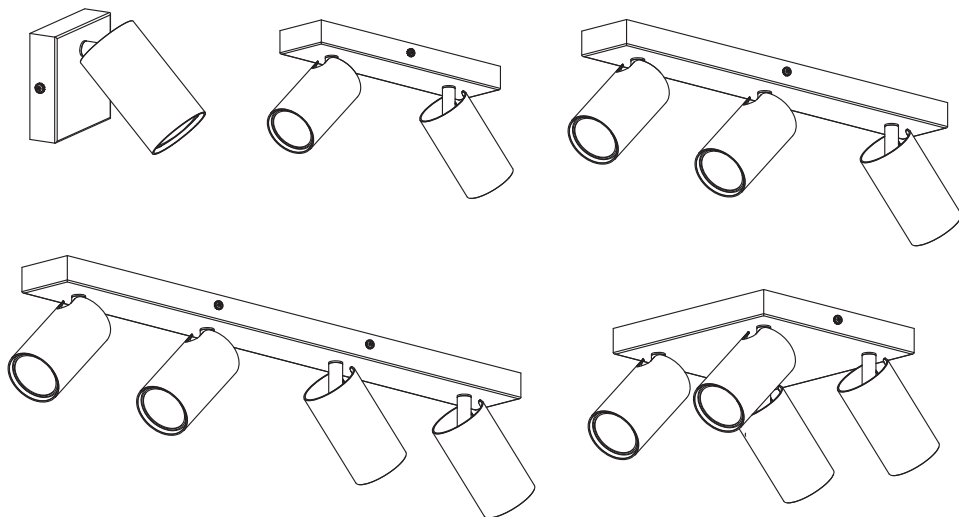


LED SPOT OCTAGON



LEDVANCE



	EAN	W	W _{max.} (LED)	lm Light Source	lm Output	K	θ _{beam} (°C)	V~	mA	Hz	DF	▽(°)	👉
LED SPOT OCTAGON 1X3.4W 927 GU10 BK	4058075828469	1x 3.4	1x 5	1x 230	230	2700	-20... +40	220- 240	17	50/ 60	0.7	36	100000
LED SPOT OCTAGON 2X3.4W 927 GU10 BK	4058075828483	2x 3.4	2x 5	2x 230	460	2700	-20... +40	220- 240	34	50/ 60	0.7	36	100000
LED SPOT OCTAGON 3X3.4W 927 GU10 BK	4058075828506	3x 3.4	3x 5	3x 230	690	2700	-20... +40	220- 240	51	50/ 60	0.7	36	100000
LED SPOT OCTAGON PL 4X3.4W927GU10BK	4058075828520	4x 3.4	4x 5	4x 230	920	2700	-20... +40	220- 240	68	50/ 60	0.7	36	100000
LED SPOT OCTAGON 4X3.4W 927 GU10 BK	4058075828544	4x 3.4	4x 5	4x 230	920	2700	-20... +40	220- 240	68	50/ 60	0.7	36	100000
LED SPOT OCTAGON 1X3.4W 927 GU10 WT	4058075833197	1x 3.4	1x 5	1x 230	230	2700	-20... +40	220- 240	17	50/ 60	0.7	36	100000
LED SPOT OCTAGON 2X3.4W 927 GU10 WT	4058075833210	2x 3.4	2x 5	2x 230	460	2700	-20... +40	220- 240	34	50/ 60	0.7	36	100000
LED SPOT OCTAGON 3X3.4W 927 GU10 WT	4058075833234	3x 3.4	3x 5	3x 230	690	2700	-20... +40	220- 240	51	50/ 60	0.7	36	100000
LED SPOT OCTAGON PL 4X3.4W927GU10WT	4058075833258	4x 3.4	4x 5	4x 230	920	2700	-20... +40	220- 240	68	50/ 60	0.7	36	100000
LED SPOT OCTAGON 4X3.4W 927 GU10 WT	4058075833272	4x 3.4	4x 5	4x 230	920	2700	-20... +40	220- 240	68	50/ 60	0.7	36	100000

LED SPOT OCTAGON



<p>1x </p> <p>270g</p> <p>2x </p> <p>1x </p> <p>4058075828469 2x </p> <p>4058075833197 2x </p>	<p>1x </p> <p>500g</p> <p>2x </p> <p>2x </p> <p>2x </p> <p>4058075828483 2x </p> <p>4058075833210 2x </p>	<p>1x </p> <p>1000g</p> <p>2x </p> <p>2x </p> <p>2x </p> <p>4058075828520 2x </p> <p>4058075833258 2x </p>
<p>1x </p> <p>770g</p> <p>2x </p> <p>2x </p> <p>1x </p> <p>2x </p> <p>4058075828506 4x </p> <p>4058075833234 4x </p>	<p>1x </p> <p>1050g</p> <p>2x </p> <p>4x </p> <p>1x </p> <p>4x </p> <p>4058075828544 4x </p> <p>4058075833272 4x </p>	

mm

	W	L	H
LED SPOT OCTAGON 1X 3.4W	82.5	90	105
LED SPOT OCTAGON 2X 3.4W	60	260	140
LED SPOT OCTAGON 3X 3.4W	60	430	140
LED SPOT OCTAGON PL 4X 3.4W	200	200	140
LED SPOT OCTAGON 4X 3.4W	60	600	140

1

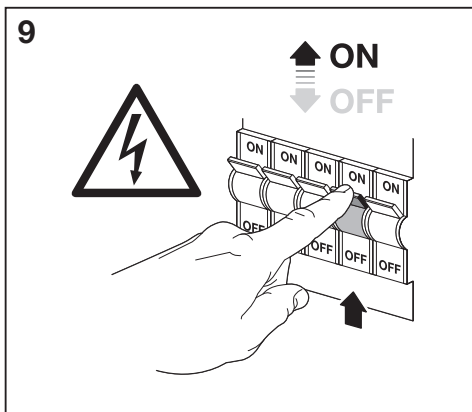
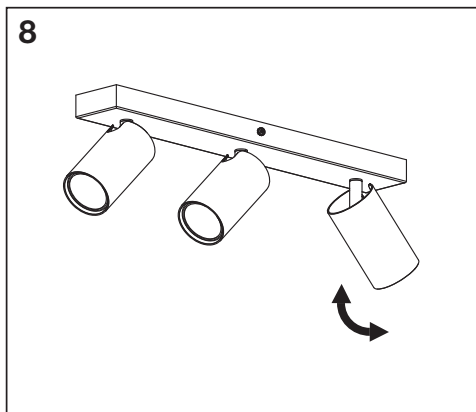
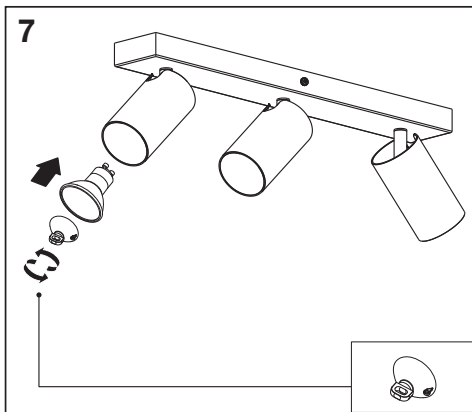
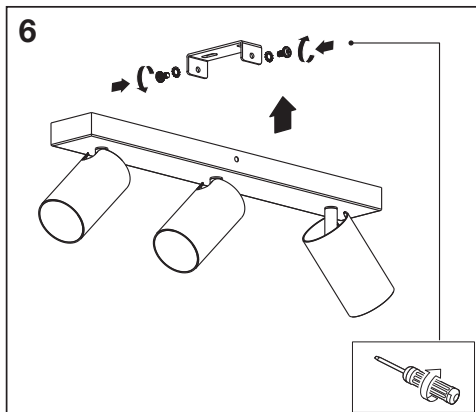
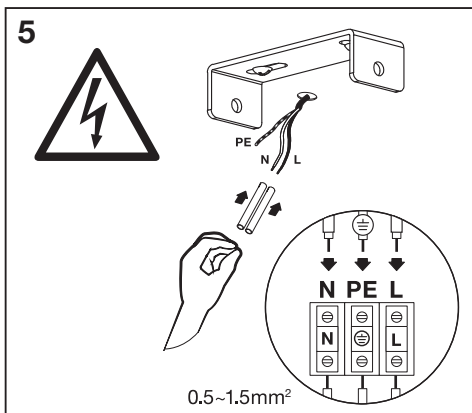
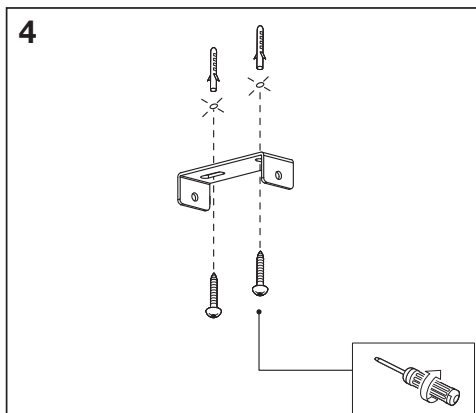
ON

OFF

2

3

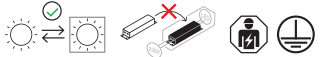
LED SPOT OCTAGON





	EAN	n	LED	QR code	ENERGY * X =
LED SPOT OCTAGON 1X3.4W 927 GU10 BK	4058075828469	1	AC45746		G
LED SPOT OCTAGON 1X3.4W 927 GU10 WT	4058075833197				
LED SPOT OCTAGON 2X3.4W 927 GU10 BK	4058075828483	2	AC45746		G
LED SPOT OCTAGON 2X3.4W 927 GU10 WT	4058075833210				
LED SPOT OCTAGON 3X3.4W 927 GU10 BK	4058075828506	3	AC45746		G
LED SPOT OCTAGON 3X3.4W 927 GU10 WT	4058075833234				
LED SPOT OCTAGON PL 4X3.4W927GU10BK	4058075828520	4	AC45746		G
LED SPOT OCTAGON PL 4X3.4W927GU10WT	4058075833258				
LED SPOT OCTAGON 4X3.4W 927 GU10 BK	4058075828544	4	AC45746		G
LED SPOT OCTAGON 4X3.4W 927 GU10 WT	4058075833272				

* Ⓢ Dieses Produkt enthält eine Lichtquelle der Energieeffizienzklasse <X>. Ⓢ This product contains a light source of energy efficiency class <X>. Ⓢ Ce produit contient une source lumineuse de classe d'efficacité énergétique <X>. Ⓢ Questo prodotto contiene una sorgente luminosa di classe di efficienza energetica <X>. Ⓢ Este producto contiene una fuente luminosa de la clase de eficiencia energética <X>. Ⓢ Este produto contém uma fonte de luz da classe de eficiência energética <X>. Ⓢ Το προϊόν αυτό περιέχει φωτεινή πηγή της τάξης ενεργειακής απόδοσης <X>. Ⓢ Dit product bevat een lichtbron van energie-efficiëntieklasse <X>. Ⓢ Denna produkt innehåller en ljuskälla med energieeffektivitetsklass <X>. Ⓢ Tämä tuote sisältää valonlähteen, jonka energiatehokkuusluokka on <X>. Ⓢ Dette produktet indeholder en lyskilde med energieffektivitetsklasse <X>. Ⓢ Dette produkt indeholder en lyskilde i energieffektivitetsklasse <X>. Ⓢ Tento výrobek obsahuje světelný zdroj třídy energetické účinnosti <X>. Ⓢ Та іздедек vseбује светлобни виr разреда енергијске учинковитост <X>. Ⓢ Bu ürün, enerji verimliliği sınıfında bir ışık kaynağı içerir <X>. Ⓢ Ovaj proizvod sadrži izvor svetlosti klase energetske učinkovitosti <X>. Ⓢ Acest produs conține o sursă de lumină cu clasa de eficiență energetică <X>. Ⓢ Тоzi продукт включва светлинен източник с клас на енергийна ефективност <X>. Ⓢ Toode sisaldab energiatõhususe klassi <X> valgusallikat. Ⓢ Siame gaminyje yra šviesos šaltinis, kurio energijos vartojimo efektyvumo klasė <X>. Ⓢ Ši s ražojums satur gaismas avotu, kura energoefektivitātes klase ir <X>. Ⓢ Ovaj proizvod sadrži izvor svetlosti klase energetske efikasnosti <X>. Ⓢ Цей виріб містить джерело світла класу енергоефективності <X>. Ⓢ Бул өнімде <X> энергия тиімділігі класының жарық көзі бар.



FR
Cet appareil et son ampoule se recyclent

À DÉPOSER EN MAGASIN

À DÉPOSER EN DÉCHÈTERIE

OU

Points de collecte sur www.quefairedemesdechets.fr

C10449057
G11176519
19.10.2023



LEDVANCE GmbH
Steinerne Furt 62
86167 Augsburg, Germany
www.ledvance.com