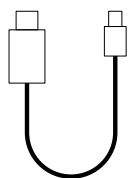


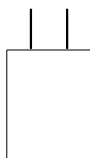
What's in the Box



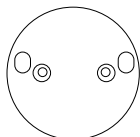
Indoor Camera



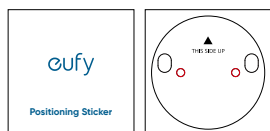
USB-C Charging Cable



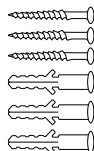
Power Adapter



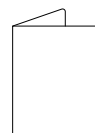
Mounting Bracket



Positioning Sticker

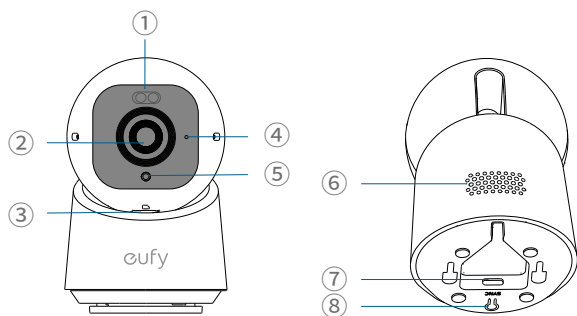


Screw Pack



Quick Start Guide

At a Glance



1	Spotlight
2	Lens
3	microSD Card Slot <ul style="list-style-type: none"> • Insert a microSD card* (not included) to store recordings *Use at least a Class 10 microSD card with a maximum of 128GB.
4	Microphone
5	LED Indicator
6	Speaker
7	Power Input
8	SYNC Button

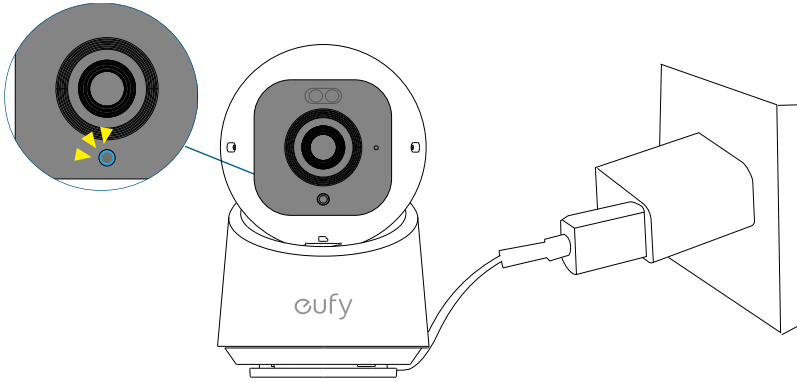
Setting up the System

1. Download and install the eufy Security app, then sign up or create an account.

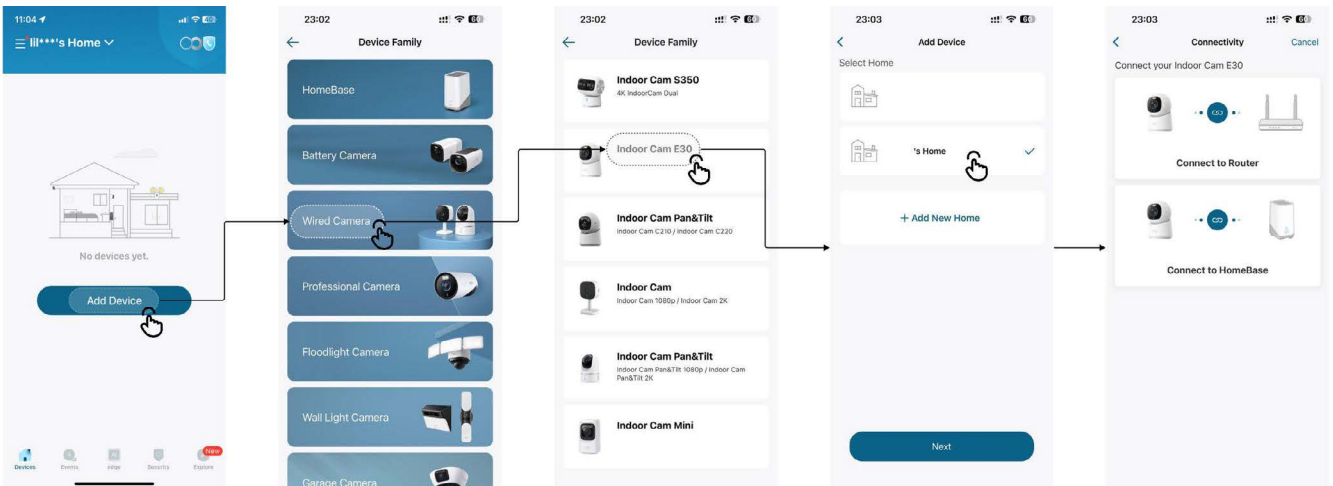
• The app version must be Android 4.9.3_435 / iOS4.9.35_1651 or later.



2. Connect the camera to a power source and wait until the status LED turns solid blue.



3. Select **Add Device** on the home screen of the app, then select **Wired Camera > Indoor Cam E30** in the device family, and follow the in-app instructions to add your camera.



LED Light Guide

	Solid Violet	System is initializing
	Solid Blue	Working normally or ready for setup
	Blinking Red	Not connected to the internet
	Solid Red	Recording or the live stream is being viewed
	Flashing Blue and Red	Firmware upgrade in progress *Keep the camera connected to a power source

Installing your Camera

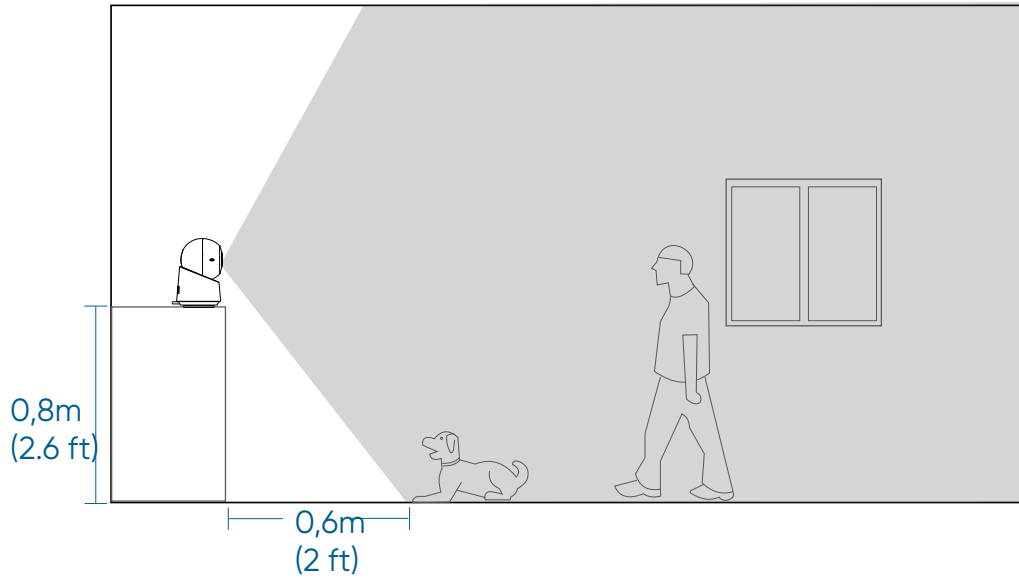
Choose a Location

The camera can be placed on a table or shelf, or mounted on a wall or ceiling. Choose a location and height that achieves your desired view and is within reach of a power outlet.

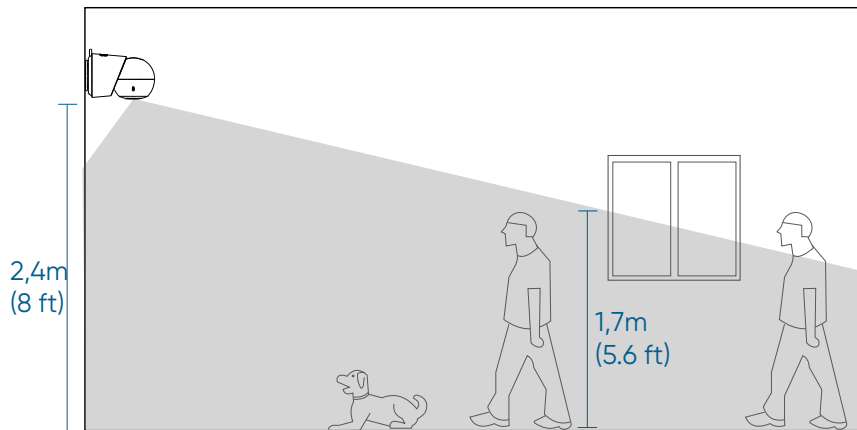
- 💡 Keep the camera at least 0.7 ft (0.2 m) away from any objects or walls to avoid infrared reflections that can impact night vision performance.

Camera Field of View

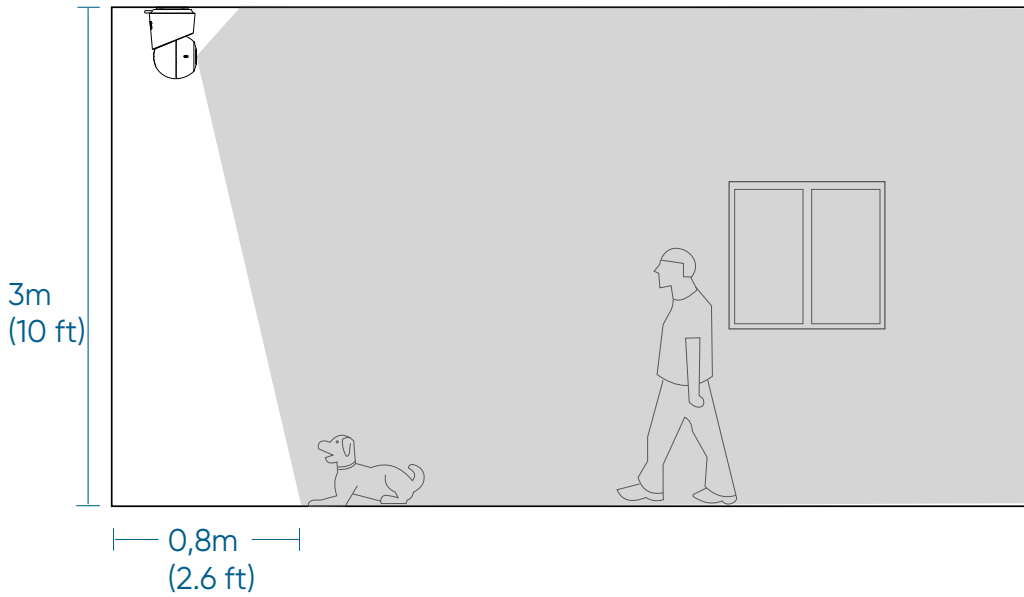
On a Table or Shelf



On the Wall

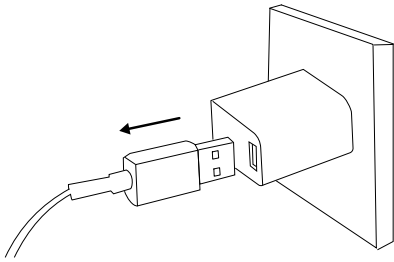


On the Ceiling

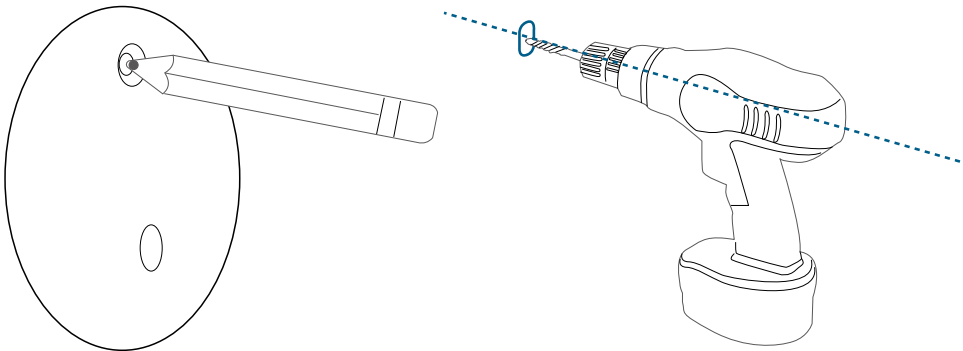


Mount on a Wall or Ceiling

 **Warning:** Disconnect the camera from the power outlet before mounting.

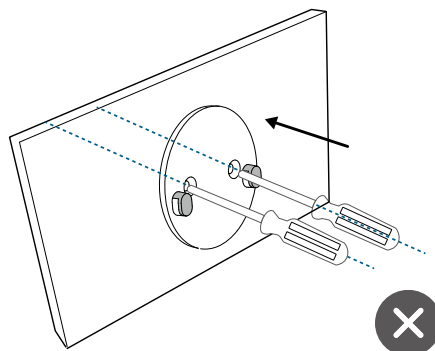
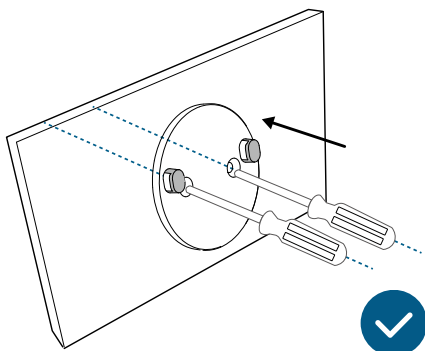


1. Mark the screw positions on the wall or ceiling with the positioning sticker and drill a pilot hole.

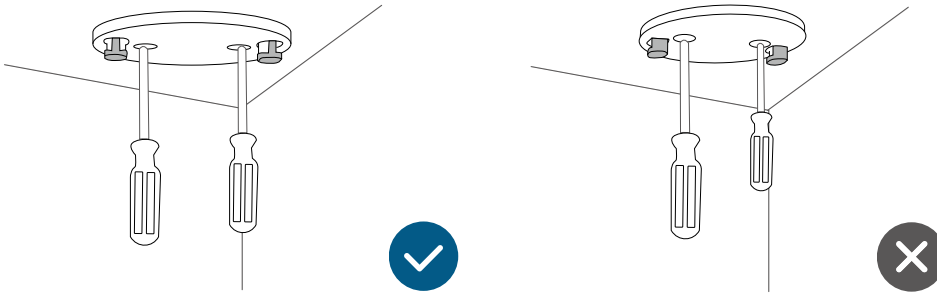


2. Hold the mounting plate on the wall and make sure the "UP" arrow is pointing, then secure the mounting plate on the wall or ceiling with the screws.

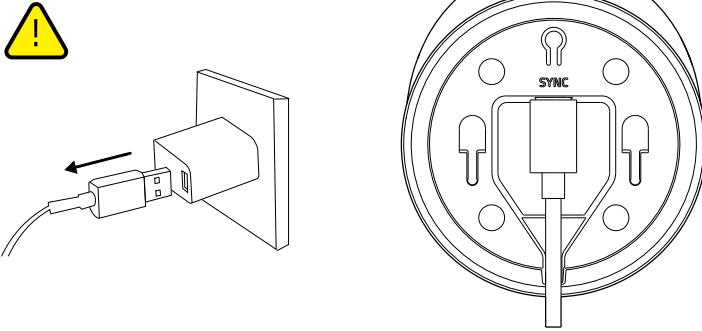
- On the Wall



- On the Ceiling

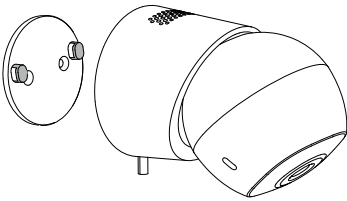


3. Unplug the camera. Connect the USB-C cable to the camera with the other end disconnected from a power source.



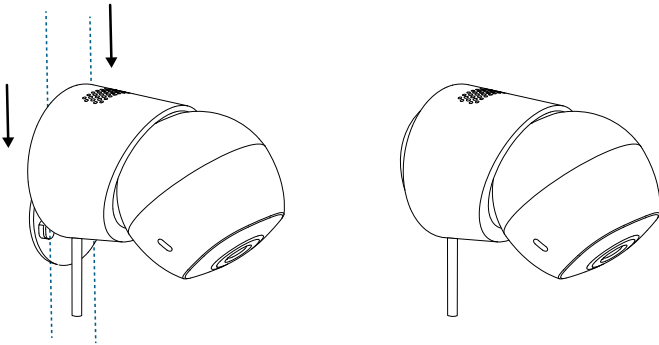
4. For wall mounting, place the cable into the cable channel of the mounting plate.

- Skip this step for ceiling installation.



5. Slide the camera onto the mounting plate and make sure it is securely attached.

- On the Wall



- On the Ceiling

