

## MIN Adjustment

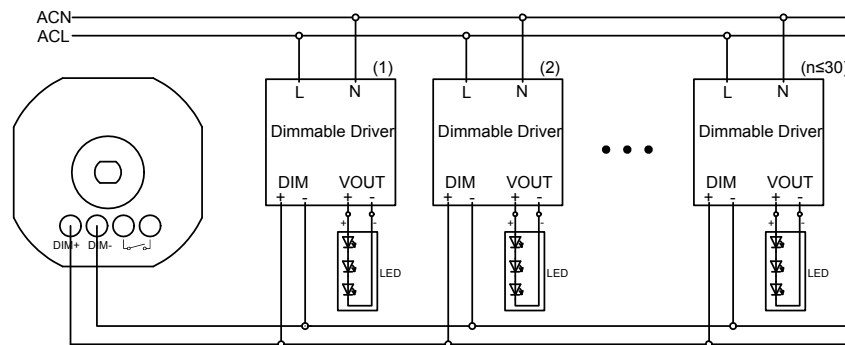
Switch the light on using the dimmer shaft. Then turn the dimmer to the left as far as possible (minimum light output). Then turn the MIN potentiometer slowly to the right with a screwdriver until it cannot rotate further any more. Then turn the MIN to the left slowly, the brightness will decrease gradually. Stop to rotate until the brightness cannot decrease any more, and it is the minimum light output of these LED lights.

## MAX Adjustment

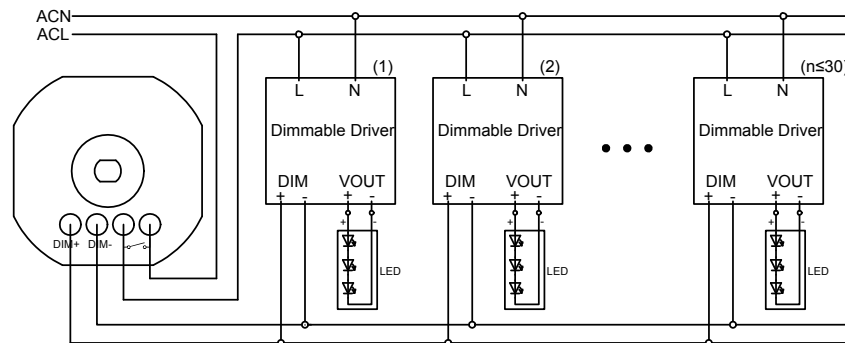
Switch the light on using the dimmer shaft. Then turn the dimmer to the right as far as possible (maximum light output). Then turn the MAX potentiometer slowly to the left with a screwdriver until it cannot rotate further any more. Then turn the MAX to the right slowly, the brightness will increase gradually. Stop to rotate until the brightness cannot increase any more, and it is the minimum/maximum light output of these LED lights.

## Connection Diagrams

- Only use 0~10V dimming control:



- Use 0~10V dimming control and switch ON/OFF control:



# EcDim®

## 0~10V LED Dimmer ECO-DIM.12

### NOTE:

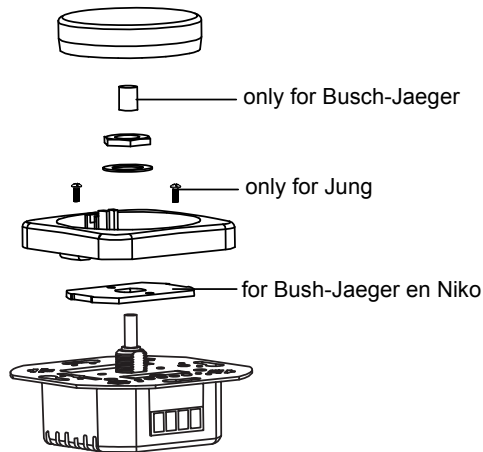
The installation of the dimmer must be done by a qualified tradesman, taking into account the national regulations. During all work, ensure that the electricity is switched off.

# ECO-DIM.12

**Article Number:** ECO-DIM.12  
**Ambient Temperature:** +5~+25 °C  
**Control Voltage:** 0.7V ~12V  
**Control Current:** Max. 50 mA  
**Switching Current:** AC 230/240V~ 10A

## Suitable Cover Plates:

- √ Berker
- √ Busch-Jaeger
- √ Gira
- √ JUNG
- √ Niko
- √ Merten
- √ Kopp

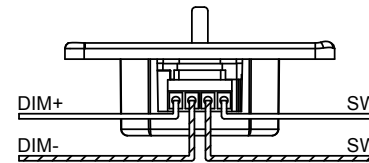


## Suitable for:

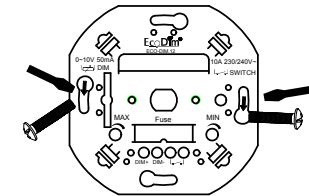
- dimming lamps with electronic ballast
- Other items with a control voltage of 0-10v

## Installation

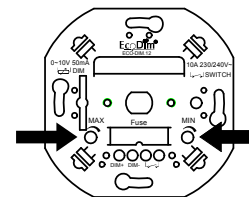
**Step 1:** Always make sure that the electricity is switched off during installation. Then connect the wires as indicated in the 'Connection diagram'.



**Step 2:** Now install the dimmer according to the connection diagram in the mounting box. This can be done with screws.



**Step 3:** Switch the electricity back on. Switch the connected lights on using the dimmer shaft. Now adjust the MIN/MAX, as described under 'MIN/MAX Adjustment'.



**Step 4:** Place the cover plate and dimmer knob back on to the dimmer.

